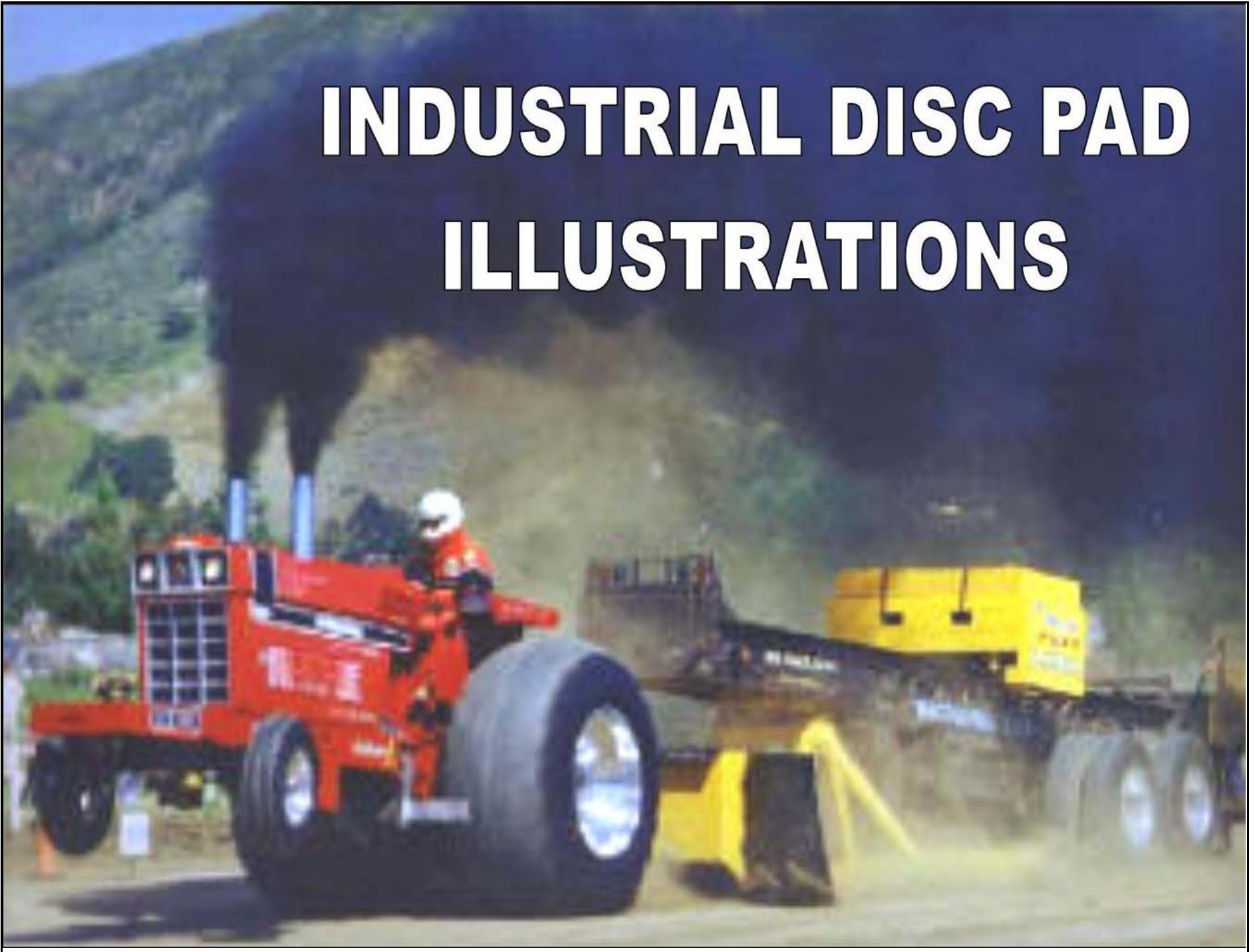


INDUSTRIAL DISC PAD ILLUSTRATIONS



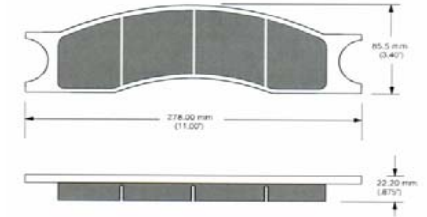
INDUSTRIAL DISC PAD INTERCHANGE

Fritec No.

OEM / Mfg	Interchange No.	OEM / Mfg.	Interchange No.	OEM / Mfg.	Interchange No
Carlisle	224-440	Clark	840611	Jarvis Clark	244440
Carlisle	224-560	Clark	841367	Kawasaki	YY2442440
Carlisle	224-737	Clark	947932	Terex	9051433
Carlisle	224-747	Clark	M12575071	Terex	9065346
Carlisle	244-214	Clark	M12969503	Trojan	6601347
CAT	2V9135	Fiat Allis	73108446	Trojan	6602143
CAT	7K5057	Dresser	AK1542	Volvo	6630374-4
CAT	7K5059	IHC Hough	939097C2	VME	12575071
CAT	8R0821	IHC Hough	1260138H1	Wagner	243691
Case	D77519	IHC Hough	1228972H91	Wagner	343691
Case	N7356	Jarvis Clark	22700		

Width x Height x Thickness

10.945 x 3.385 x 0.866

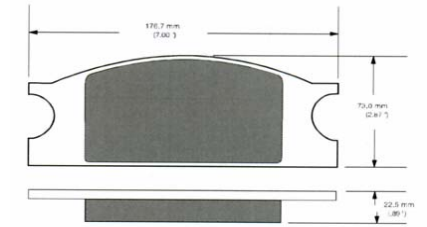


I-30001
10.945 x 3.385 x 0.866

I-30007

Carlisle	244-252	Eimco	500143	Volvo	6630293-6
Carlisle	244-454	Eimco	935-2928696	VME	1916685
Carlisle	244-763	International	895977C1		
CAT	3V5465	Jarvis Clark	28804		
CAT	7K4941	Kawasaki	YYZZ244-454		
CAT	8R0807	Kawasaki	YYZZ244-736		
CAT	1V2778	Koeing	31005174		
Clark	840472	Tree Farmer	10-030833		
Clark	19116685	Trojan	6602356		
Dresser	AK1538				

6.968 x 2.913 x 0.866

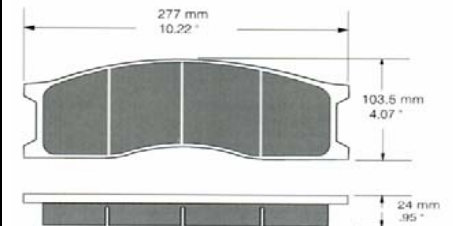


I-30007
6.968 x 2.913 x 0.866

I-30015

Case	N7661	Dresser	AK1531	Meritor	9650256
Case	S300097	Euclid	4095172	Meritor	9650378
Clark	840793	Fiat Allis	73147364	Meritor	9680436
Clark	841408	Fiat Allis	73147365	Meritor	9680668
Clark	06213353-3	Meritor	39640074	P&H	1015Z1312
Clark	11990101-5	Meritor	39640078	Volvo	62115324
Clark	11992694-7	Meritor	39680668	Volvo	11034146
Clark	2107384	Meritor	9640102	Volvo	11992394-7
Clark	5293505	Meritor	9640225	Volvo	06213353-3
Clark	5293633	Meritor	9640249		
Clark	M12969308	Meritor	9640378		

10.905 x 4.094 x 0.945



I-30015
10.905 x 4.094 x 0.945

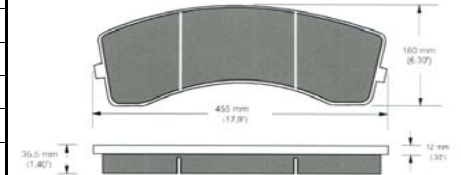
INDUSTRIAL DISC PAD INTERCHANGE

Fritec No.

OEM / Mfg	Interchange No.	OEM / Mfg.	Interchange No.	OEM / Mfg.	Interchange No
I-30018					
Carlisle	244-510	Euclid	4051356	Unit Rig	913742
Carlisle	244-559	Euclid	489982	Unit Rig	913998
Carlisle	244-584	Euclid	E12968935	Unit Rig	915239
Carlisle	244-746	Euclid	E12967451		
Carlisle	244-761	Euclid	E12969239		
Clark	E12968935	Terex	9058890		
Dresser	AK1553	Terex	9058899		
Dresser	VE0322	Terex	E78-526		
Dresser	VS7057	Terex	TE-92225		

Width x Height x Thickness

17.323 x 6.299 x 1.398

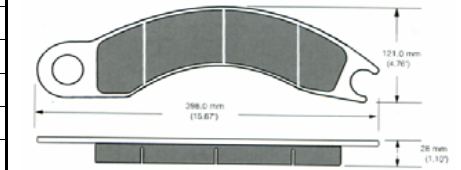


I-30018
17.323 x 6.299 x 1.398

I-30020-S

Carlisle	224-730-2	Euclid	4058440	IHC Hough	1135075C2
Carlisle	224-517-2	Euclid	4066903	IHC Hough	1259879H1
Carlisle	224-580-4	Euclid	4089973	IHC Hough	1251178H91
Carlisle	224-748-2	Euclid	4093139	Jarvis Clark	28046
Case	N6173	Euclid	E129692240+1	Jarvis Clark	840955
CAT	4V7062	Euclid	12968935	Moxy	5054286
CAT	8N4938	Euclid	12969326	VME	1969326
CAT	9C0567	IHC Hough	1135095C1	Wagner	353958
Clark	840955	IHC Hough	1135095C2		
Dresser	AK1550	IHC Hough	1135095C3		

15.630 x 4.921 x 1.102

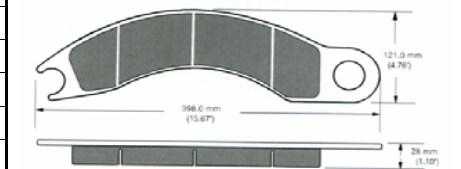


I-30020-S
15.630 x 4.921 x 1.102

I-30021-S

Carlisle	244-730-1	Euclid	4058439	IHC Hough	1251177H91
Carlisle	244-517-1	Euclid	4066902	Jarvis Clark	28047
Carlisle	244-580-3	Euclid	4089972	Jarvis Clark	840954
Carlisle	244-748-1	Euclid	4093138	Moxy	5054285
Case	N6172	Euclid	12969325	VME	1969325
CAT	4V7061	IHC Hough	1134094C1	Wagner	353957
CAT	8N4939	IHC Hough	1135094C2		
CAT	9C0566	IHC Hough	1135094C3		
Clark	840954	IHC Hough	1135074C2		
Dresser	AK1548	IHC Hough	1259875H1		

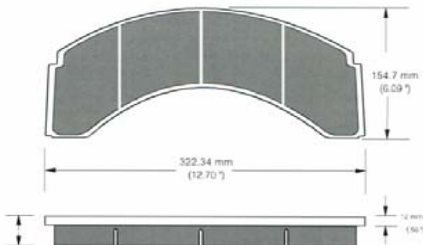
15.630 x 4.921 x 1.102

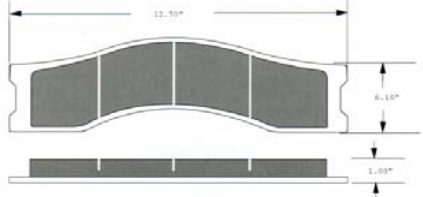


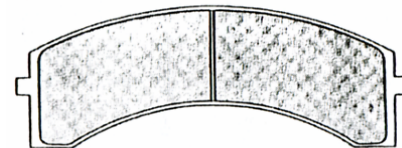
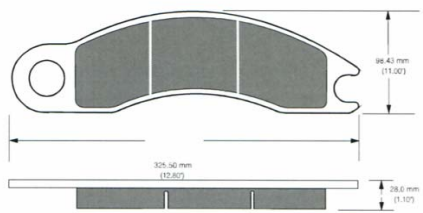
I-30021-S
15.630 x 4.921 x 1.102

INDUSTRIAL DISC PAD INTERCHANGE

Fritec No.

OEM / Mfg	Interchange No.	OEM / Mfg.	Interchange No.	OEM / Mfg.	Interchange No	Width x Height x Thickness
I-30022						12.638 x 6.142 x 1.496
Clark	841205	Meritor	3640057	Unit Rig	912621	 <p style="text-align: center;">I-30022 12.638 x 6.142 x 1.496</p>
Clark	841215	Meritor	39640232	Unit Rig	914715	
Clark	841415	Meritor	9640232	Unit Rig	913140	
Dresser	VE3909	Meritor	9640281	Unit Rig	915198	
Dresser	VE1790	Meritor	9640287	Unit Rig	914615	
Dresser	AK1537	Meritor	9640389	Unit Rig	912621	
Dresser	VJ9461	Meritor	9640404			
Euclid	4034556	RayGo	225502			
Euclid	4063204					
Euclid	4063205					

I-30028						16.260 x 5.224 x 1.051
Clark	841241	Meritor	9640161	Unit Rig	1031505	 <p style="text-align: center;">I-30028 16.260 x 5.224 x 1.051</p>
Clark	841367	Meritor	9640351	Volvo	04963502-2 (2-pc)	
Clark	841419	Meritor	9640093			
Clark	841243	Meritor	9680676			
Clark	8413677 (2-pc)					
Clark	12969143					
Dart	9640326					
Dresser	AK1532					
Dresser	VE2186					

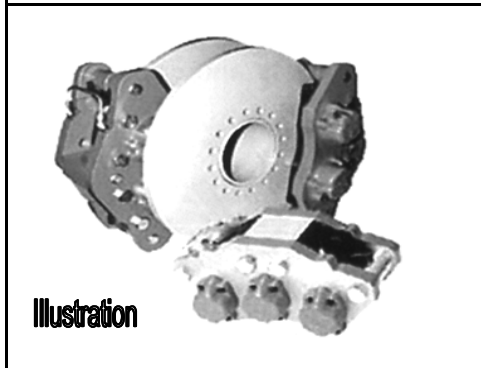
I-30030		10.425 x 4.291 x 1.299	I-30032		12.795 x 3.992 x 1.098	I-30032	
Carlisle	244-405	 <p style="text-align: center;">I-30030 10.425 x 4.291 x 1.299 <small>similar to illustration</small></p>	Carlisle	244-525-2	 <p style="text-align: center;">I-30032 12.795 x 3.992 x 1.098</p>	Carlisle	244-731-1
CAT	1X6629		CAT	4V8417			
Dresser	AK1541		CAT	4V8416			
Dresser	VJ0052		CAT	9C8021			
IHC Hough	113525C1		CAT	9C0566			
IHC Hough	891025C91		Dresser	AK1552			
RayGo	213983		Pettibone	SPP-38-65			
Taylor	5925020						
Unit Rig	900742						
Unit Rig	903469						

Unit Rig	9.13681E+11				
----------	-------------	--	--	--	--

INDUSTRIAL DISC PAD INTERCHANGE

Fritec No.

OEM / Mfg	Interchange No.	OEM / Mfg.	Interchange No.	OEM / Mfg.	Interchange No	Width x Height x Thickness
-----------	-----------------	------------	-----------------	------------	----------------	----------------------------



I-30033-R
12.795 x 3.992 x 1.098

I-30033-R	
Carlisle	244-525-1
Carlisle	244-731-2
CAT	4V8416
CAT	4V8417
CAT	9C8022
Dresser	AK1551
Pettibone	SPP-38-64

I-30061	
Bendix	182740
Case	182740
Meritor	9110118

6.750 x 2.000 x 0.500

I-30061
6.750 x 2.000 x 0.500
similar to illustration

4.800 x 2.295 x 0.325

I-30080
4.800 x 2.295 x 0.325
similar to illustration

I-30080	
CAT	974670
Kelsey Hayes	99-06542
Kelsey Hayes	99-06543
Kelsey Hayes	99-09663

I-30085	
Carlisle	328-71
Carlisle	8-332
Carlisle	8-402
Carlisle	MA220
CAT	2R0296
CAT	7D0275

4.960 x 4.216 x 1.192

I-30085
4.960 x 4.216 x 1.192

12.598 x 3.819 x 0.866

I-30110

I-30110	
Bennetter	85425
Kawasaki	YY2618-6070
Kawasaki	YY2618-6020
Kawasaki	39700-70200
Komatsu	85-10178473
Komatsu	385-10178473
Meritor	9640734

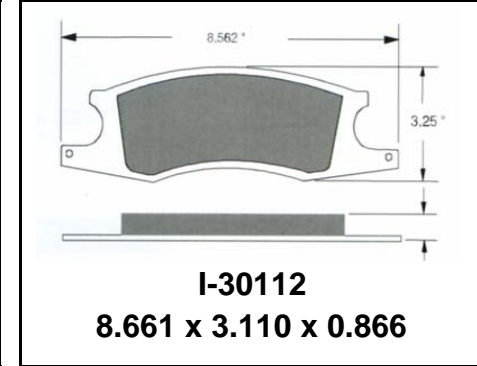
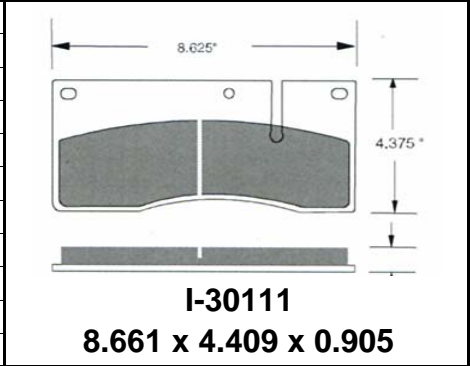
		Expanded Pucks (19.140 O.D.)	12.598 X 3.819 X 0.866 similar to illustration		
--	--	-------------------------------------	--	--	--

INDUSTRIAL DISC PAD INTERCHANGE

Fritec No.

OEM / Mfg	Interchange No.	OEM / Mfg.	Interchange No.	OEM / Mfg.	Interchange No	Width x Height x Thickness
I-30111		8.661 x 4.409 x 0.905		8.661 x 3.110 x 0.866		I-30112

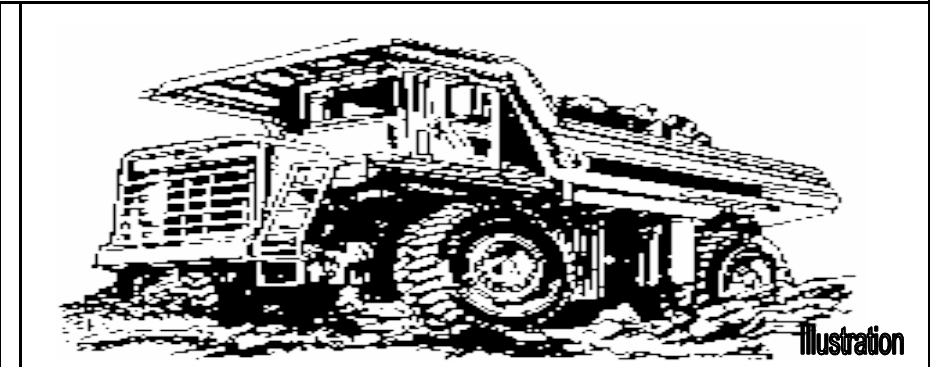
Kawasaki	YY2618-6070



Kawasaki	YY2618-7030
Kawasaki	YY2618-4080
Kawasaki	39700-70210
Komatsu	2415U136S5

I-30132

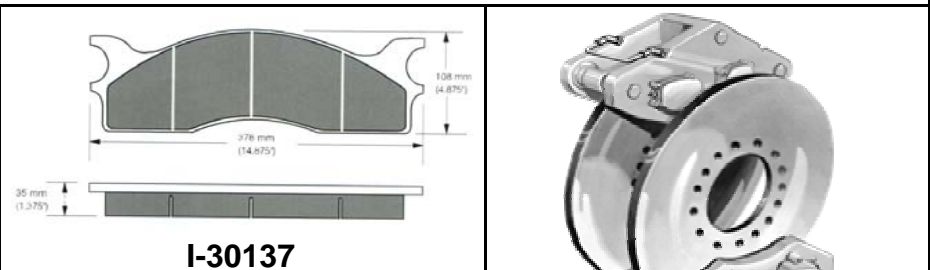
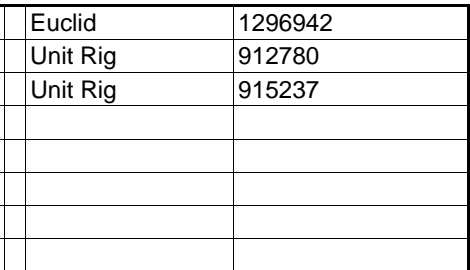
1.985 x 1.610 x 0.875




I-30137

15.157 x 3.996 x 1.338

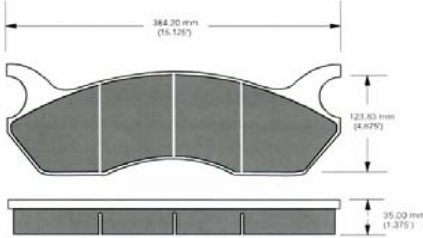
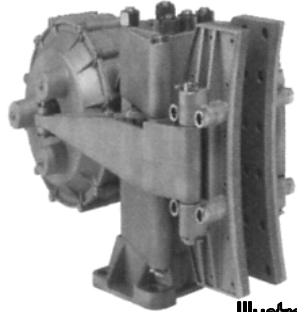
Carlisle	244-7806	Euclid	1296942
Carlisle	244462	Unit Rig	912780
CAT	1X6629	Unit Rig	915237
Dresser	AK1541		
Dresser	VJ0052		
Dresser	1296942		
Dresser	AK-0177 (2-pc)		
Dresser	AK-1559		

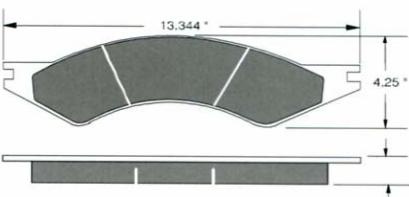
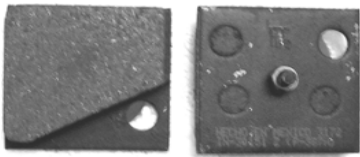


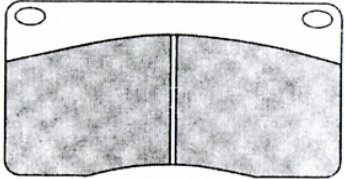
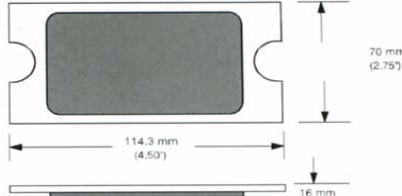
Dresser	AK-1252			15.157 x 3.996 x 1.338 similar to illustration	 Illustration
Dresser	VJ-8914				

Fritec No. **INDUSTRIAL DISC PAD INTERCHANGE**

Fritec No.	OEM / Mfg	Interchange No.	OEM / Mfg.	Interchange No.	OEM / Mfg.	Interchange No	Width x Height x Thickness
------------	-----------	-----------------	------------	-----------------	------------	----------------	----------------------------

I-30138				15.157 x 5.354 x 1.378			
Carlisle	244-569	Euclid	12969243	 <p>I-30138 15.157 x 5.354 x 1.378</p>	 Illustration		
Carlisle	244-780	Euclid	115-268				
Carlisle	419-527	Euclid	4041401				
Dresser	AK-1219	Unit Rig	914430				
Dresser	AK-1549	Unit Rig	915238				
Dresser	AK-1560						
Dresser	VE-0326						
Dresser	VE-0329						
Dresser	JO329						
Dresser	JO894						

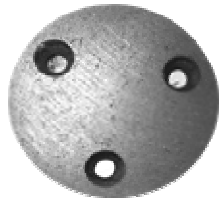
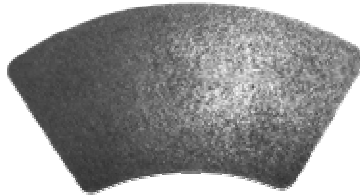
I-30139		15.157 x 3.996 x 1.338	2.031 x 1.900 x 0.539	I-30151	
Carlisle	244-482	 <p>I-30139 15.157 x 3.996 x 1.338 similar to illustration</p>	 <p>I-30151 2.031 x 1.900 x 0.539</p>	JCB	452/0901

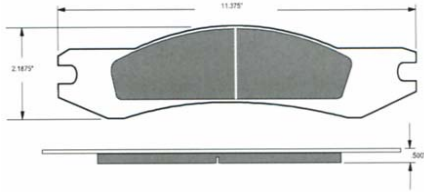
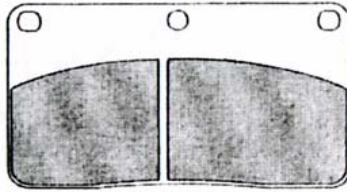
I-30153		6.495 x 3.503 x 0.708	4.500 x 2.634 x 0.625	I-30157	
Dresser	AK1533			Carlisle	244-381
Kawasaki	4426183020			Carlisle	244-455
Kawasaki	H2204/NEH			Carlisle	244-759

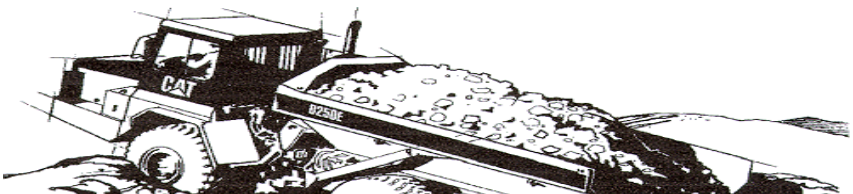

		I-30153 6.495 x 3.503 x 0.708 similar to illustration	I-30157 4.500 x 2.634 x 0.625		
--	--	---	--	--	--



Fritec No.

INDUSTRIAL DISC PAD INTERCHANGE

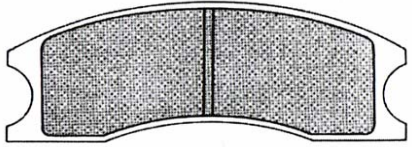
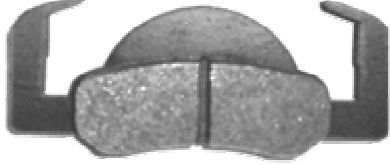
OEM / Mfg	Interchange No.	OEM / Mfg.	Interchange No.	OEM / Mfg.	Interchange No	Width x Height x Thickness	
I-30164		3.000 x 0.325		6.250 x 3.515 x 0.560		I-30181	
Carlisle	MP400D		I-30164 3.000 x 0.325		I-30181 6.250 x 3.515 x 0.560	Joy	02-500-046
Carlisle	MP107D					Mico	29-060-008
Carlisle	115-7400					Mico	20-060-013
Euclid	E12966628					Mico	02-500-046
Komatsu	891034C1					Mico	Kit 010-060-008

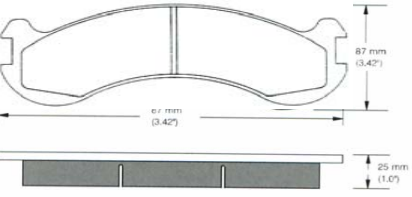
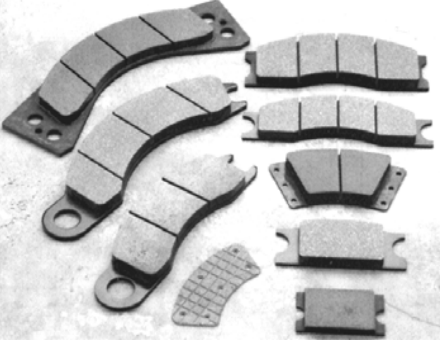
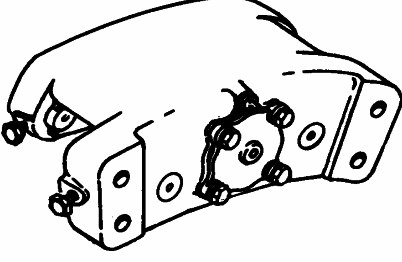
I-30272		11.415 x 2.850 x 0.551		8.661 x 4.409 x 0.708		I-30282	
Ausco	39522		I-30272 11.415 x 2.850 x 0.551 similar to illustration		I-30282 8.661 x 4.409 x 0.708 similar to illustration	Kawasaki	YY26184080
Eimco						Sumitomo	

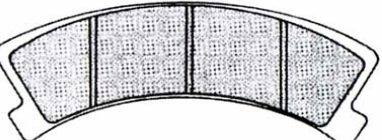

I-30299		2.185 x 1.735 x 0.390					
Carlisle	27-517		I-30299 2.185 x 1.735 x 0.390				
Carlisle	27-7714						
Carlisle	MP102D						
Dresser	AK1535						
IHC	926937C1						
Jarvis Clark	5409						

Wagner	339492		
		I-30299 2.185 x 1.735 x 0.390	Illustration

INDUSTRIAL DISC PAD INTERCHANGE


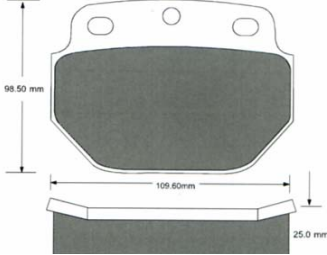
Fritec No.		OEM / Mfg.		Interchange No.		Width x Height x Thickness	
I-30404				11.653 x 4.252 x 0.984			I-30448
Carlisle	244-531			I-30404 11.653 x 4.252 x 0.984 similar to illustration			Null's Machine
Carlisle	244-356						
Unit Rig	1018554						

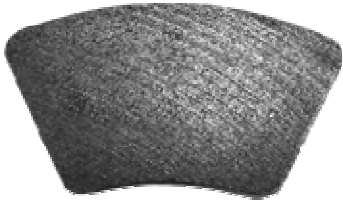

I-30470		10.236 x 3.385 x 1.208				
Carlisle	244-547			I-30470 10.236 x 3.385 x 1.208 similar to illustrati		
Euclid	9396789					
Marathon	410-2201					
Marathon	414-6011					

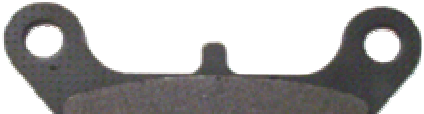
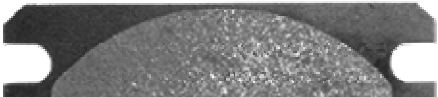
I-30473		8.858 x 3.504 x 0.708		6.496 x 1.945 x 0.480		I-30550	
Meritor	39640098					Ausco	39522
Meritor	39640099						
Meritor	39640355						
Meritor	39680388						
Meritor	39680637						

Wagner	357076	I-30473 8.858 x 3.504 x 0.708 similar to illustration	I-30550 6.496 x 1.945 x 0.480		
Wagner	357077				

Fritec No.	INDUSTRIAL DISC PAD INTERCHANGE					
OEM / Mfg	Interchange No.	OEM / Mfg.	Interchange No.	OEM / Mfg.	Interchange No	Width x Height x Thickness

I-30558		4.594 x 0.364		12.606 x 4.240 x 0.940		I-30566	
Carlisle	224-756		I-30558 4.594 x 0.364		I-30566 5.460 x 4.764 x 1.252	Auwarter	
Carlisle	MA 756					Eimco	
						Frantuzzi	
						Volvo	11990436-5
						Volvo	621335-3

I-30842		4.210 x 2.542 x 0.470		6.750 x 3.125 x 0.843		I-30884	
Mico	20-060-087		I-30842 4.210 x 2.542 x 0.470		I-30884 6.750 x 3.125 x 0.843	Dresser	134798
Mico	20-060-088					Hayes Axle	349285
Mico	29-060-046						
Mico	29-060-047						

I-30885		6.750 x 3.125 x 0.650		6.750 x 2.000 x 0.500		I-30929	
Dresser	134799		I-30885 6.750 x 3.125 x 0.650		I-30929 6.750 x 2.000 x 0.500	J I Case	182740
Hayes Axle	349210						

Carlisle	MA733-2			Carlisle	MA733-1
		I-31000 17.460 x 5.563 x 0.984	I-31001 17.460 x 5.563 x 0.984		

INDUSTRIAL DISC PAD INTERCHANGE

<i>Fritec No.</i>	OEM / Mfg	Interchange No.	OEM / Mfg.	Interchange No.	OEM / Mfg.	Interchange No	Width x Height x Thickness
-------------------	-----------	-----------------	------------	-----------------	------------	----------------	----------------------------

I-31056			5.417 x 3.228 x 0.425		14.600 x 5.100 x 1.062		I-31080
----------------	--	--	------------------------------	--	-------------------------------	--	----------------

International	1430228H91		I-31056 5.417 x 3.228 x 0.425		I-31080 14.600 x 5.100 x 1.062	Meritor	9640286
John Deere	97010DY4					Meritor	9640352
Perrot	12-182-091					Meritor	2000-A-1535
						Meritor	3222-A-2107

I-31123			8.230 x 3.600 x 0.785		7.750 x 3.000 x 0.000		I-31313
----------------	--	--	------------------------------	--	------------------------------	--	----------------

Kelsey Hayes	model 660, 663		I-31123 8.230 x 3.600 x 0.785		I-31313 7.750 x 3.000 x 0.000	Carlisle	214-515
						Carlisle	249-779
						Carlisle	MA 779

I-31722			16.750 x 5.125 x 1.016				
----------------	--	--	-------------------------------	--	--	--	--

Carlisle	224-7838-2						
Carlisle	244-742-2						

Carlisle	224-7835-2
Carlisle	MA 742-2

